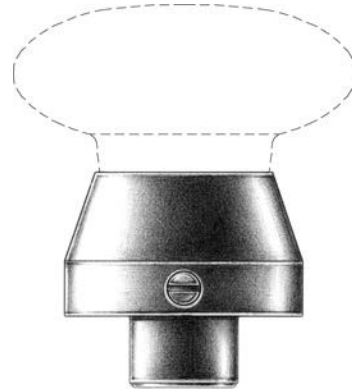
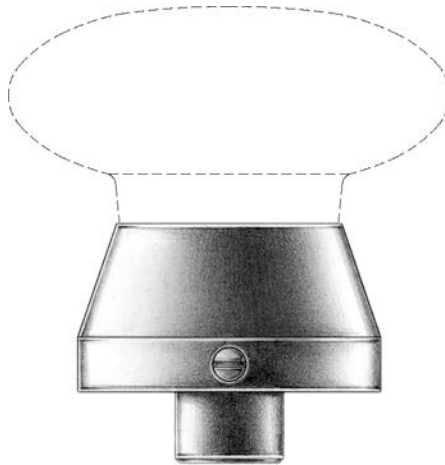


SIZE S



SIZE M



SIZE L

PREMIUM GRADE

Type IV Shell Shanks for Crystal Knobs
Patterned after E. & G.W. Robinson's Design Patent of 1837

Available in 2 ¼ or 1 ¾ in. Sizes (Nominal) for Doors.
Also Available as 1 ¼ in. for Cabinets and Fine Furniture.
Solid Turned Brass Shank.
Standard, Custom Plated and Patinated Finishes Available.

Full Scale