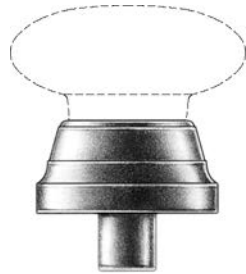
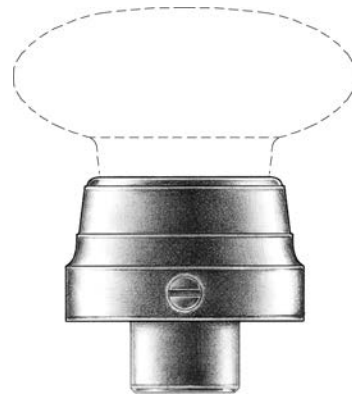


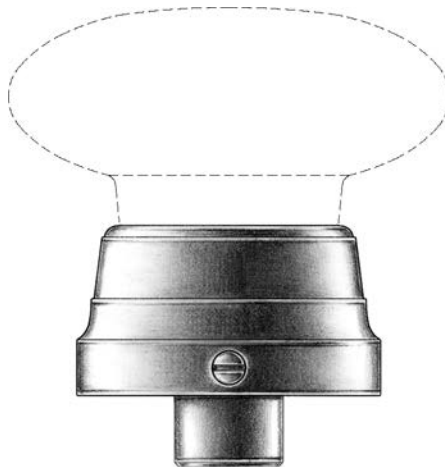
E. R. BUTLER & CO.



SIZE S



SIZE M



SIZE L

PREMIUM GRADE

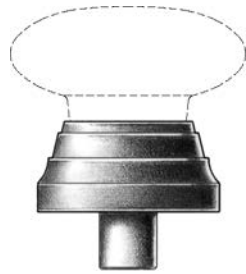
## Original "ER" Shell Shanks for Crystal Knobs

*Patterned after E. & G.W. Robinson's Design Patent of 1837*

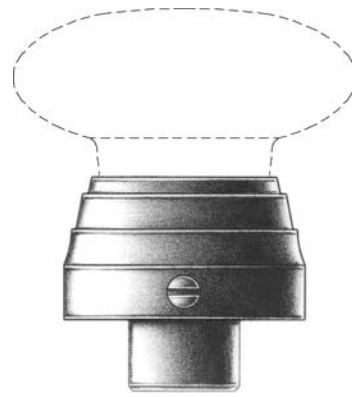
Available in 2 1/4 or 1 3/4 in. Sizes (Nominal) for Doors.  
Also Available as 1 1/4 in. for Cabinets and Fine Furniture.  
Solid Turned Brass Shank.  
Standard, Custom Plated and Patinated Finishes Available.

*Full Scale*

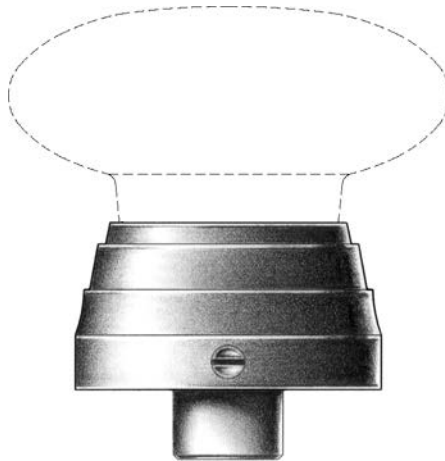
FINE ARCHITECTURAL, BUILDERS' AND CABINETMAKERS' HARDWARE



SIZE S



SIZE M



SIZE L

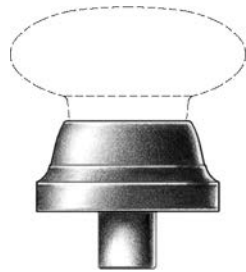
PREMIUM GRADE

## Type I Shell Shanks for Crystal Knobs

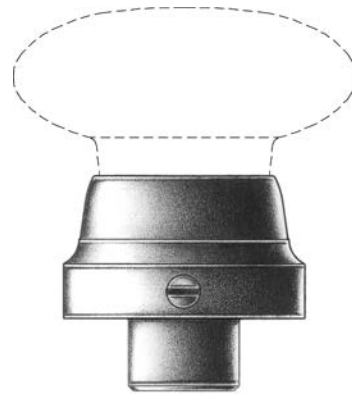
*Patterned after E. & G.W. Robinson's Design Patent of 1837*

Available in 2 ¼ or 1 ¾ in. Sizes (Nominal) for Doors.  
Also Available as 1 ¼ in. for Cabinets and Fine Furniture.  
Solid Turned Brass Shank.  
Standard, Custom Plated and Patinated Finishes Available.

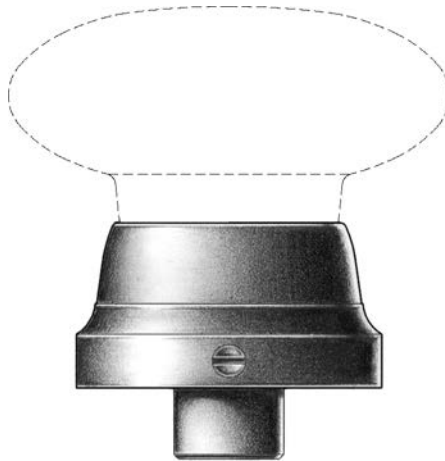
*Full Scale*



SIZE S



SIZE M



SIZE L

PREMIUM GRADE

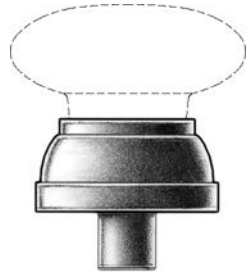
## Type II Shell Shanks for Crystal Knobs

*Patterned after E. & G.W. Robinson's Design Patent of 1837*

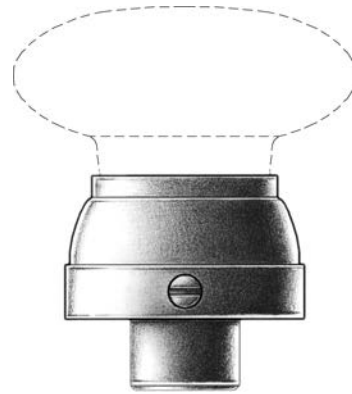
Available in 2 1/4 or 1 3/4 in. Sizes (Nominal) for Doors.  
Also Available as 1 1/4 in. for Cabinets and Fine Furniture.  
Solid Turned Brass Shank.  
Standard, Custom Plated and Patinated Finishes Available.

*Full Scale*

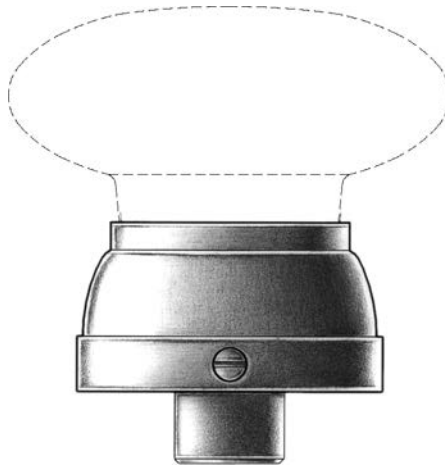
E. R. BUTLER & CO.



SIZE S



SIZE M



SIZE L

PREMIUM GRADE

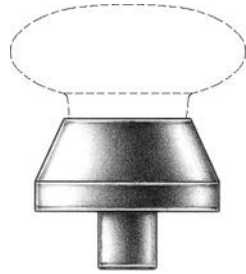
**Type III Shell Shanks for Crystal Knobs**  
*Patterned after E. & G.W. Robinson's Design Patent of 1837*

Available in 2 1/4 or 1 3/4 in. Sizes (Nominal) for Doors.  
Also Available as 1 1/4 in. for Cabinets and Fine Furniture.  
Solid Turned Brass Shank.  
Standard, Custom Plated and Patinated Finishes Available.

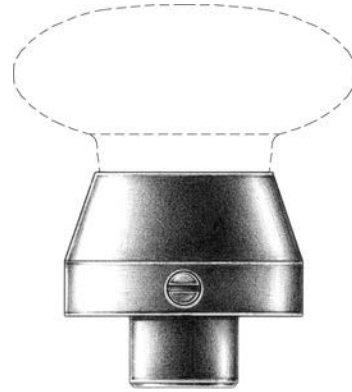
*Full Scale*

FINE ARCHITECTURAL, BUILDERS' AND CABINETMAKERS' HARDWARE

E. R. BUTLER & CO.



SIZE S



SIZE M



SIZE L

PREMIUM GRADE

**Type IV Shell Shanks for Crystal Knobs**  
*Patterned after E. & G.W. Robinson's Design Patent of 1837*

Available in 2 1/4 or 1 3/4 in. Sizes (Nominal) for Doors.  
Also Available as 1 1/4 in. for Cabinets and Fine Furniture.  
Solid Turned Brass Shank.  
Standard, Custom Plated and Patinated Finishes Available.

*Full Scale*

FINE ARCHITECTURAL, BUILDERS' AND CABINETMAKERS' HARDWARE